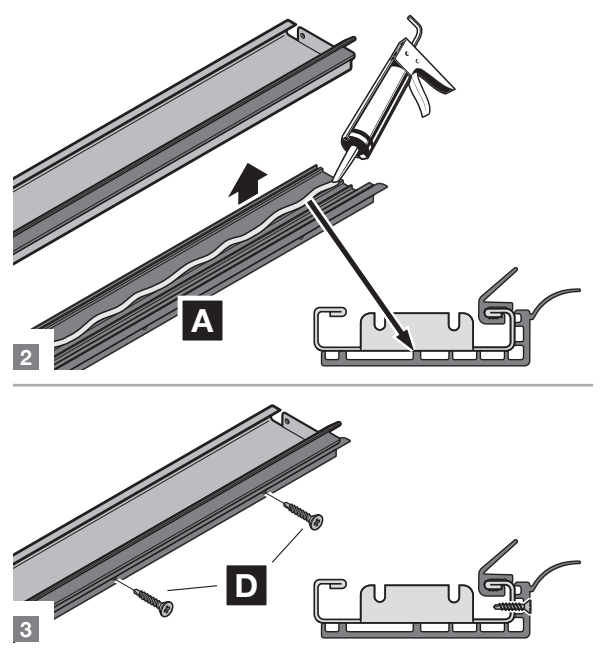
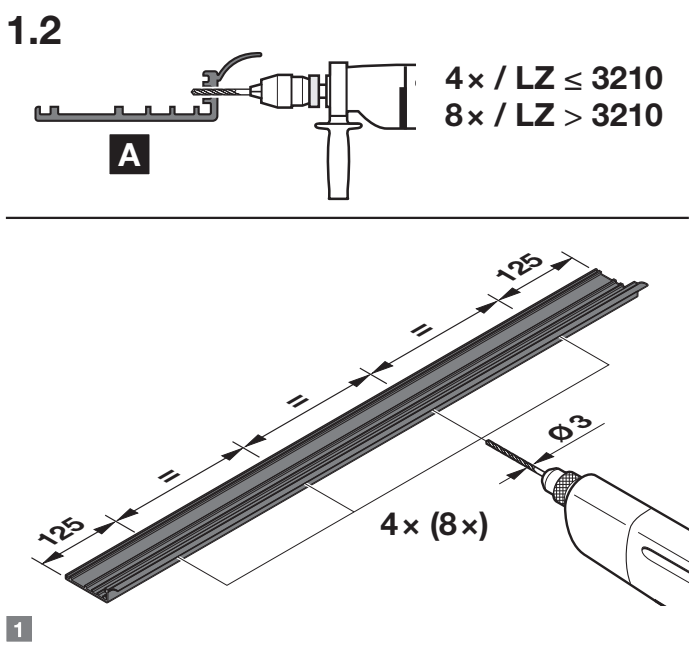
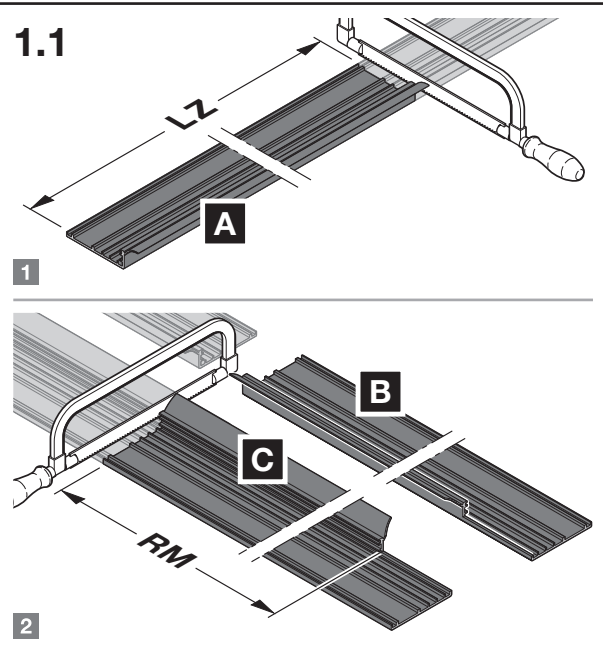
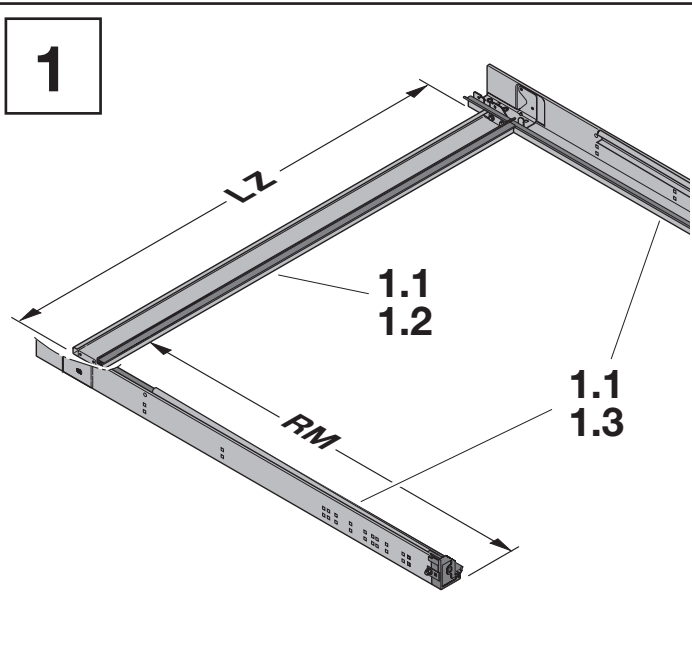
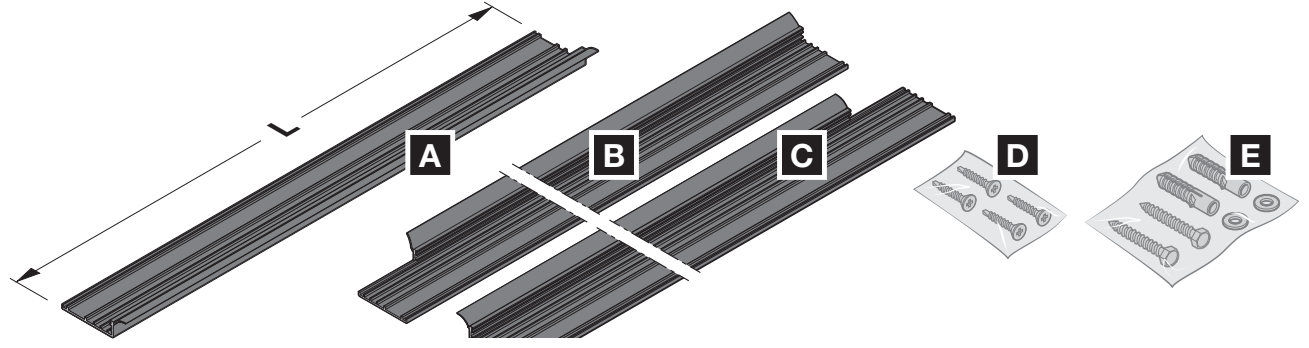
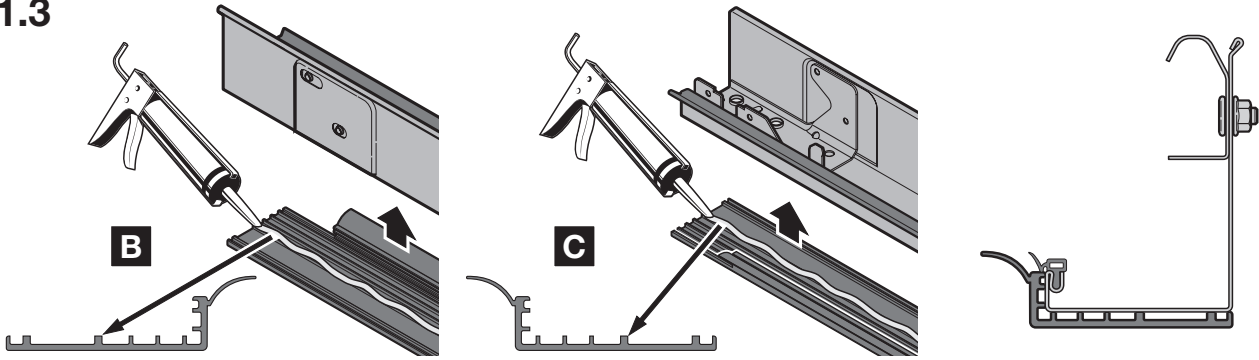


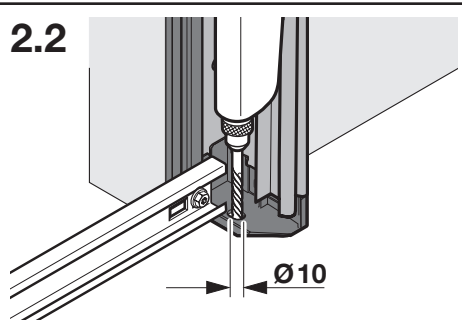
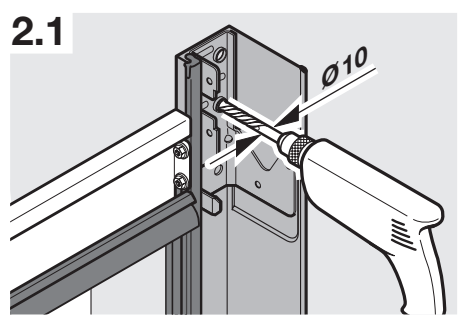
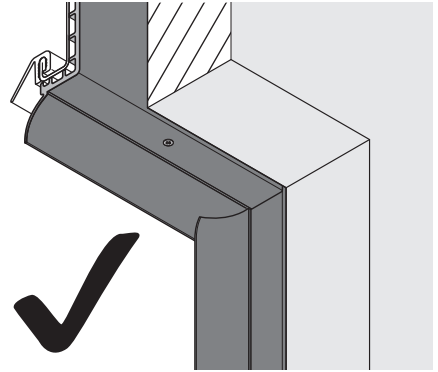
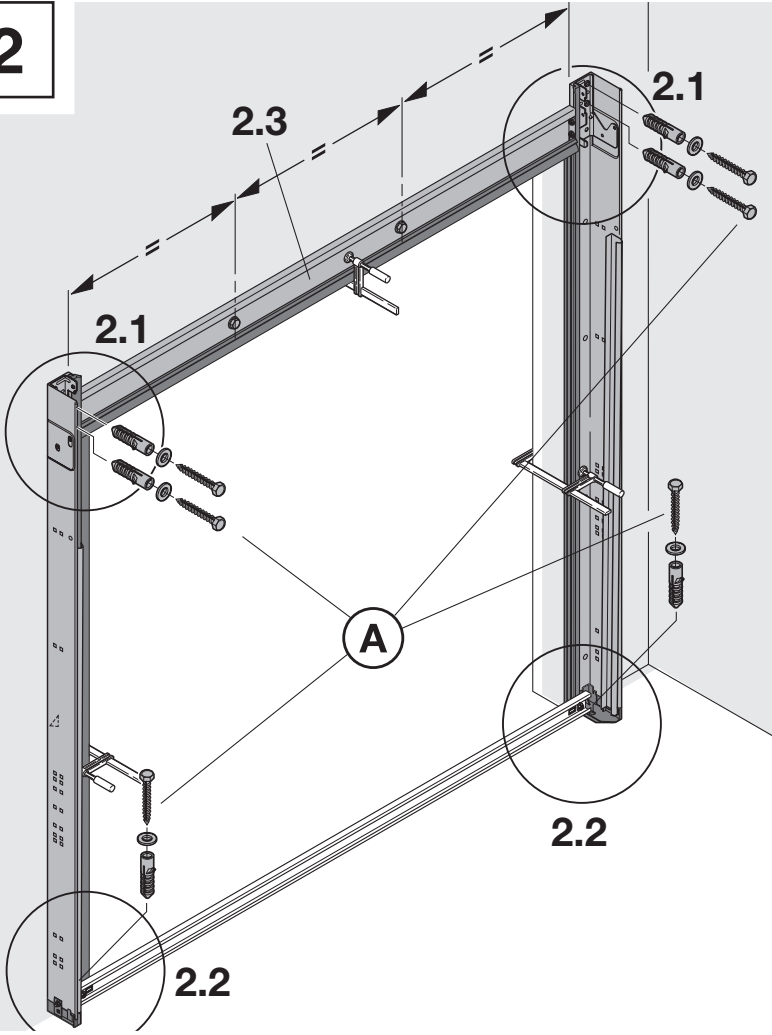
LZ	≤ 3210	> 3210
<b>A</b>	1 × L = 3210	1 × L = 6000
<b>B</b>	1 ×	1 ×
<b>C</b>	1 ×	1 ×
<b>D</b>	1 ×	2 ×
<b>E</b>	1 ×	2 ×



1.3



2



2.3

Ø 8,5

